

Glue end-cap accessory Specification

AS-GMS2020GH0-EC

AS-GMT2020GH0-EC

AS-GMS2020GS0-EC

AS-GMT2020GD0-EC

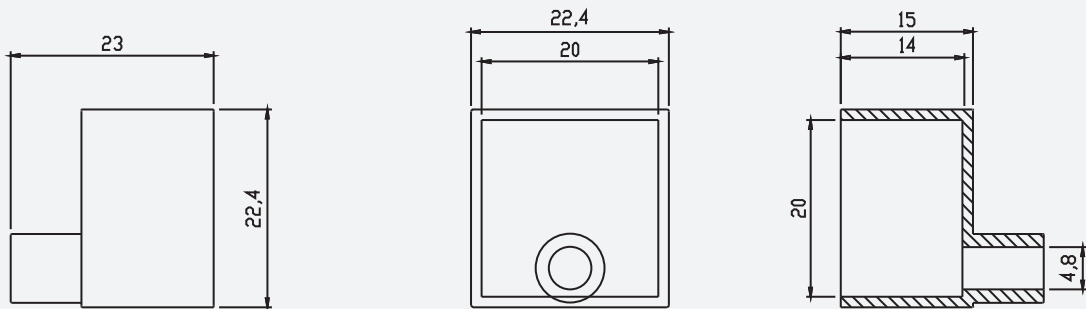


## 【Features】

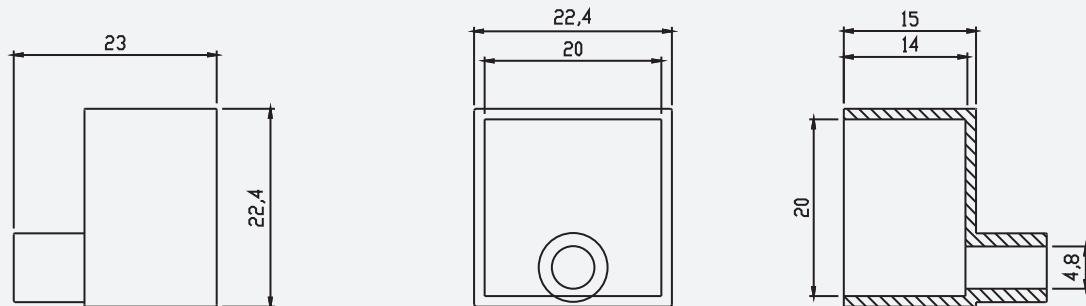
- Material: silicone;
- Operating environment: indoor;
- Molding time: 1h;
- Protection class: IP65;
- Warranty: 3 years.

## 【Mechanical Parameter】

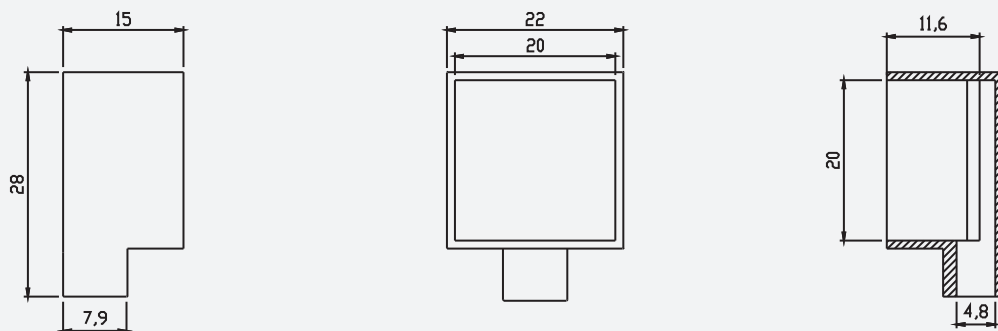
AS-GMS2020GH0-EC



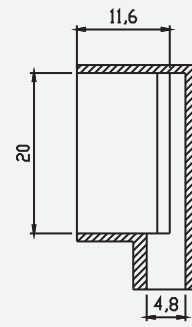
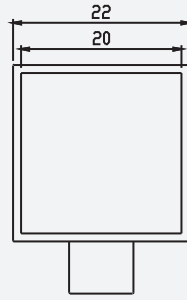
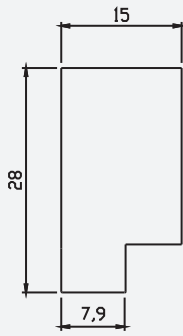
AS-GMT2020GH0-EC



AS-GMS2020GS0-EC



## AS-GMS2020GS0-EC



## [Specification information]

Describe	Accessories Picture	Order model	Outlet hole diameter (mm)	Quantity/ case (PCS)	Net weight (kg)	Per box net weight (kg)	Gross weight (kg)	Packages (mm)	Range of applications
Silicone Plug Set. Includes plug and plug end (Top)		AS-GMS2020GH0-EC	4.8	200	0.0048	0.976	1.276	250*250*150	suit to:AFS2020/AFT2020/AHS2020/AHT2020/AWS2020/AWT2020
Silicone Plug Set. Includes plug and plug end (Top)		AS-GMT2020GH0-EC	4.8	200	0.0048	0.976	1.276	250*250*150	suit to:AFS2020/AFT2020/AHS2020/AHT2020/AWS2020/AWT2020
Silicone Plug Set. Includes plug and plug end (Side)		AS-GMS2020GS0-EC	4.8	200	0.0055	1.114	1.414	250*250*150	suit to:AFS2020/AFT2020/AHS2020/AHT2020/AWS2020/AWT2020
Silicone Plug Set. Includes plug and plug end (Side)		AS-GMT2020GD0-EC	4.8	200	0.0055	1.114	1.414	250*250*150	suit to:AFS2020/AFT2020/AHS2020/AHT2020/AWS2020/AWT2020
Acid glue		AS-PG-0002	/	50	0.014	0.7	1.2	250*250*150	10ml/pcs

## [Precautions]

- Cutting neon strip and plugging should be done in a dry environment.
- Please use professional cutting tools when cutting neon strip.
- Please use the right amount of glue, otherwise it will affect the appearance and lighting effect.
- After finishing the gluing, it needs to be left for 1-2 hours to ensure the glue is solidified.